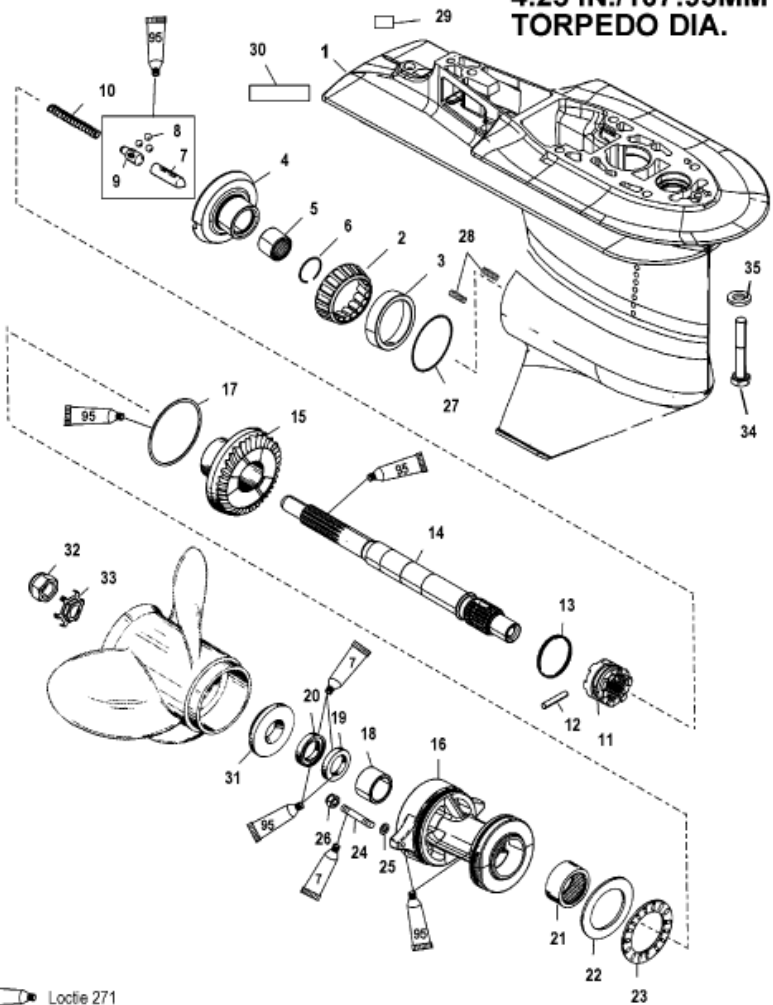


**4.25 IN./107.95MM  
 TORPEDO DIA.**



**Parts List**

| Ref | Class | Part                     | Description               | Qty | Comment    | Footnote |
|-----|-------|--------------------------|---------------------------|-----|------------|----------|
| -   | 1667  | 9011G70                  | GEAR HOUSING              | 1   | (COMPLETE) |          |
| 1   | 1667  | 9011G59                  | GEAR HOUSING ASSEMBLY     | 1   | (BASIC)    |          |
| 2   | 31    | 30894A 1                 | TAPERED ROLLER BEARING A  | 1   |            |          |
| 3   |       | NSS                      | CUP                       | 1   |            |          |
| 4   | 43    | 859472A 3                | FORWARD GEAR (30 TEETH)   | 1   |            |          |
| 5   | 31    | 30895T                   | ROLLER BEARING            | 1   |            |          |
| 6   | 53    | 856823                   | RETAININGRING             | 1   |            |          |
| 7   |       | 850315A 1                | CAM FOLLOWER ASSEMBLY     | 1   |            |          |
| 8   | 30    | 44530                    | BALL                      | 3   |            |          |
| 9   |       | NSS                      | SLIDE                     | 1   |            |          |
| 10  | 24    | 850327                   | SPRING                    | 1   |            |          |
| 11  | 52    | 850048T                  | CLUTCH                    | 1   |            |          |
| 12  | 17    | 30632                    | CROSS PIN                 | 1   |            |          |
| 13  | 24    | 30893                    | SPRING                    | 1   |            |          |
| 14  | 44    | 850308                   | PROPELLER SHAFT           | 1   |            |          |
| 15  | 43    | 850034T                  | REVERSE GEAR (30 TEETH)   | 1   |            |          |
| 16  |       | 12596T 2                 | BEARING CARRIER ASSEMBLY  | 1   |            |          |
| 17  | 25    | 97386                    | O-RING                    | 1   |            | 15       |
| 18  | 31    | 30956T                   | ROLLER BEARING            | 1   |            |          |
| 19  | 26    | 70080                    | OIL SEAL (INNER)          | 1   |            | 15       |
| 20  | 26    | 70081                    | OIL SEAL (OUTER)          | 1   |            | 15       |
| 21  | 31    | 12578T                   | ROLLER BEARING            | 1   |            |          |
| 22  | 12    | 12577                    | THRUST WASHER             | 1   |            |          |
| 23  | 31    | 12576                    | THRUST BEARING            | 1   |            |          |
| 24  | 16    | 42917 2                  | STUD                      | 2   |            |          |
| 25  | 12    | 855941                   | WASHER                    | 2   |            |          |
| 26  | 11    | 40137 8                  | NUT                       | 2   |            |          |
| 27  | 15    | 44491A 1                 | SHIM SET                  | AR  |            |          |
| 28  |       | 822773 1                 | THREAD INSERT             | 2   |            |          |
| 29  |       | NSS                      | DECAL                     | 1   |            |          |
| 30  |       | NSS                      | DECAL-PROP OPERATION      | 1   |            |          |
| 31  |       | 13191A 1                 | THRUST HUB ASSEMBLY       | 1   |            |          |
| 32  | 11    | <a href="#">52707Q 1</a> | PROPELLER NUT ASSEMBLY SE | 1   |            |          |
| 33  | 14    | 816629                   | TAB WASHER                | 1   |            |          |
| 34  | 10    | 40003 80                 | SCREW                     | 4   |            |          |
| 35  | 12    | 856774                   | WASHER                    | 4   |            |          |
| -   | 26    | 43035A 4                 | GEAR HOUSING SEAL KIT     | 1   |            |          |

7 Loctite 271  
 95 Chemtool Duralube